
3. Installation

3-1 Installing and Removing the Battery

1. To install, insert the battery into the opening on the back of the phone making sure the plastic tab on the back is inserted into the matching slot in the phone.
2. Press down until the latch snaps into place.

To remove

1. So that no stored messages or numbers are lost, power off your phone by pressing and holding the key.
2. Push the battery release latch up completely. The battery will separate slightly from the phone.
3. Lift the battery at a 45-degree angle away from the phone.

3-2 Charging the Battery

It is vital that you use only the PCS-approved Travel Adapter specifically designed for your phone. Use of unauthorized accessories could damage your phone and invalidate your warranty.

To use the travel adapter provided with your phone:

1. Plug the adapter in the wall and the other end into the power interface adapter on the bottom of the phone.

* A red light and animated battery icon on the phone lets you know the battery is charging.

* A green light on the phone lets you know the battery is at least 90 percent charged.

It takes about 4 hours to fully recharge a completely rundown battery.

Specifications using TA (Travel Adapter)

Battery Type	Standard Battery (Li-ion, 900mAh)
Charging Time	3 hours
SEC Code	GH43-00411A

3-3 For Mobile Mount

3-3-1 Cradle

1. Choose a location where it is easy to reach and does not interfere with the driver's safe operation of the car.
2. Separate the two halves of the clamshell by removing the two large slotted screws. See the figure 3-2.
3. Drill holes and mount the lower half of the clamshell by using the screws.
4. Place the cradle onto the remaining half of the clamshell and assemble them by using the screws.
5. Reassemble the two halves of the clamshell together. Adjust the mounting angle and tighten the two slotted screws.

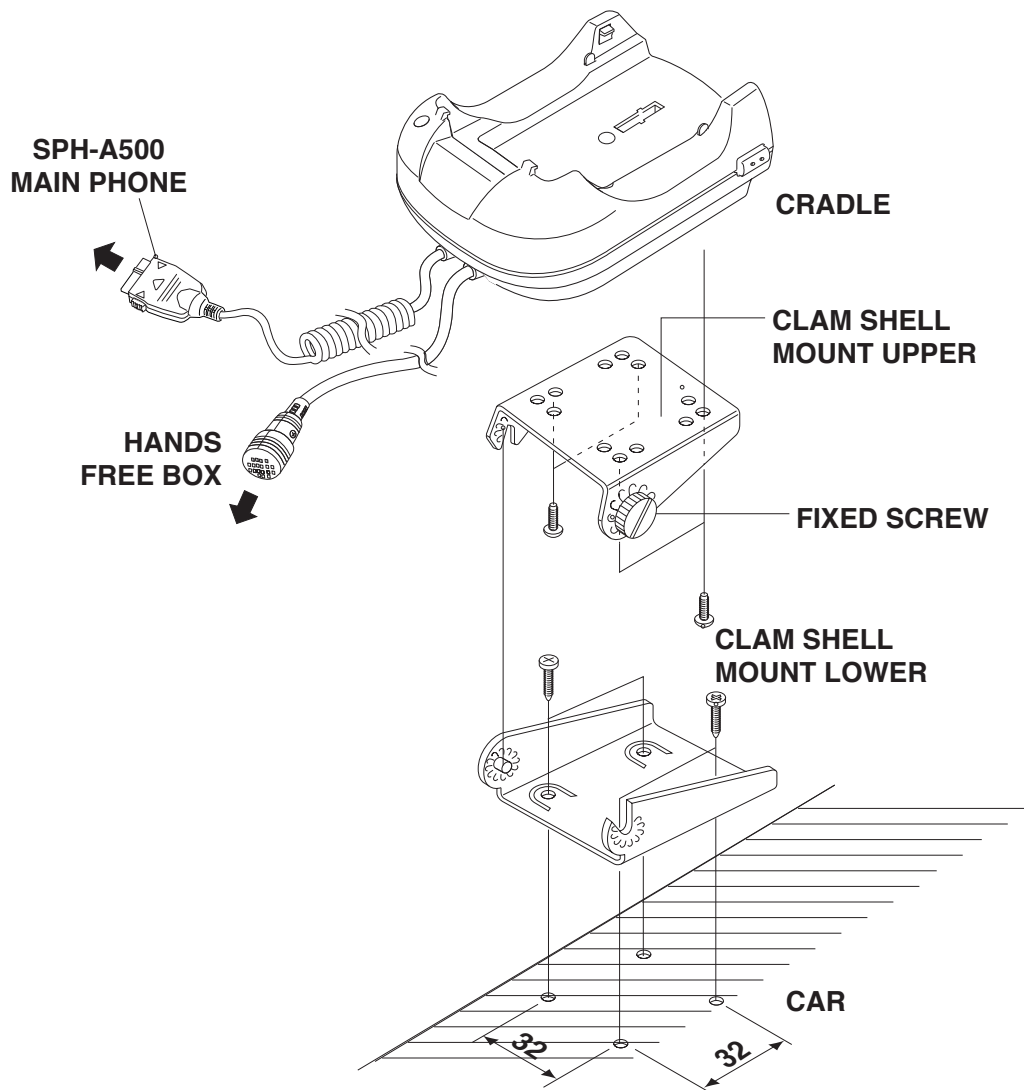


Figure 3-2 Cradle Installation

3-3-2 Hands-Free Box

1. Drill holes in a proper location for the hands-free box, attach the mounting bracket by using the screws. See the figure 3-3.
2. Install the hands-free box into the bracket.

3-3-3 Speaker

1. Install the speaker into the appropriate position.

3-3-4 Hands-Free Microphone

1. It is recommended to install the microphone where it is 30-45 cm (12-18") away from the driver. Choose the location where is least susceptible to interference caused by external noise sources, ie, adjacent windows, car audio speakers, etc. Normal place is the sun visor.
2. Once the microphone has been correctly positioned, connect the microphone wire to the **MIC** jack on the hands-free box.

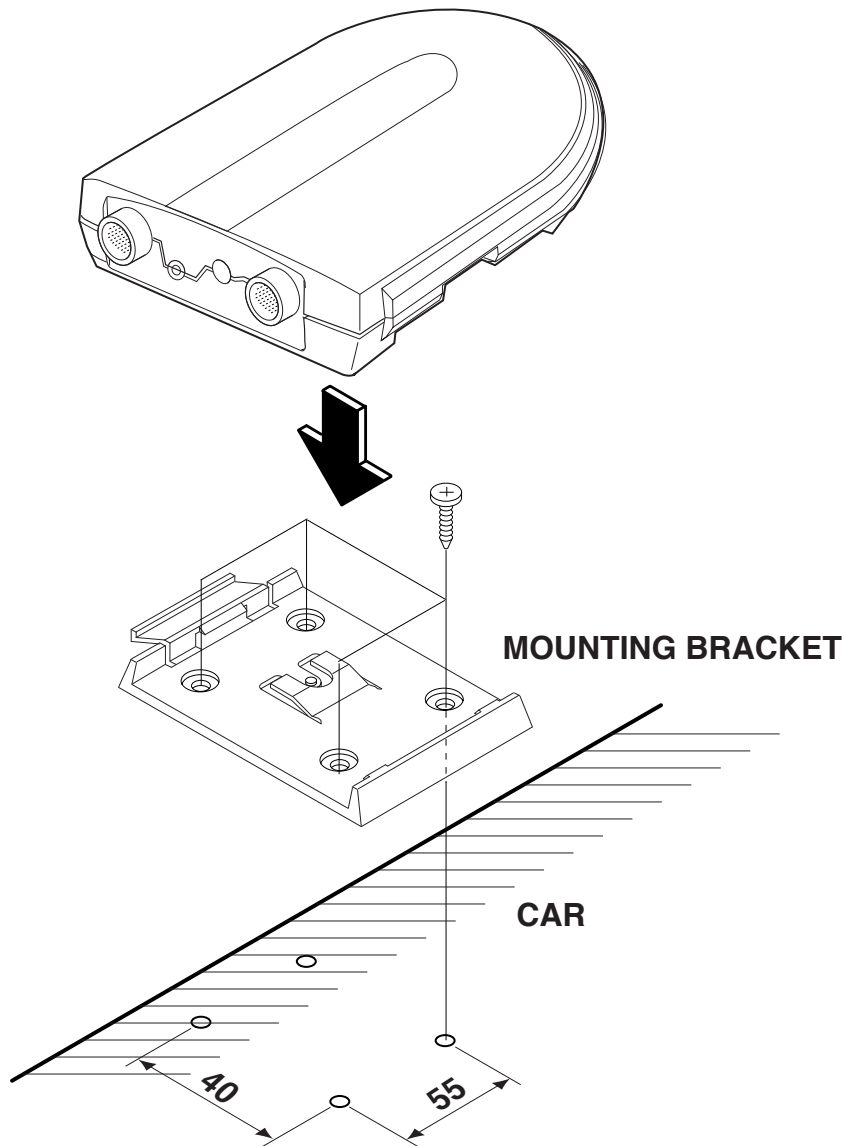


Figure 3-3 Hands-Free Box Installation

3-3-5 Cables

1. Connect the cradle and the hands-free box with the data cable.
2. Connect the red wire to the battery (+) terminal, black wire to the vehicle chassis, brown wire to the Car Audio Mute port and orange wire to the ignition port in the key box of vehicle or battery (+) terminal.
3. Connect the other end of the power cable to the PWR jack of the hands-free box.

Notes:

- It is recommended to connect the power cable directly to the battery to avoid power noise.
- Make sure the connection between the battery (-) terminal and vehicle chassis is made correctly.
- Make sure the fuse having a proper capacity is used on the power cable.
- Make sure the cables do not pass over any sharp metal edge that may damage it.